

BACKRACK™

FUNCTION AND STYLE FOR TODAY'S TRUCKS

INSTALLATION INSTRUCTIONS #INSTO:

BACKRACK KIT #30226, 30226TB, 30226TB31

2022-Current Colorado / Canyon

READ THIS NOW!

Your truck should look like the one shown. If you think you are missing any parts, think that this part number is not for your truck or have any installation question, call our customer service department at toll free:

800-265-8137 or locally **905 849-3633**.

Other ways to reach BACKRACK:

Fax **905-849-4116**

email: techsupport@backrack.ca



The BACKRACK is secured to your truck with a pair of "Stake Pocket Bolts" specifically designed for your make and model of truck. These bolts mount into each of the two front stake pockets. The BACKRACK assembly sits on the bed rails of your truck and is secured to these Stake Pocket Bolts. If your truck has a BEDLINER we suggest you remove it to install the Stake Pocket Bolts

PARTS LIST FOR KIT #30226

| PART | DESCRIPTION | QTY |
|------------------------|---|-----|
| RMB226P | Rail Mount Bracket Passenger | 1 |
| RP226D | Rail Plate Driver | 1 |
| RMB226D | Rail Mount Bracket Driver | 1 |
| RP226P | Rail Plate Passenger | 1 |
| HARDWARE BAG395 | | |
| INST000 | Installation Instructions | 1 |
| DB9X8ET | Poly Bag | 2 |
| FYZ008 | 1/2"-20 Nylon Hex Lock Nut | 2 |
| FYZ011 | 1/2" Flat Washer | 2 |
| FYZ014 | 1/2"-20 x 3.25" Carriage Bolt Grade 8 | 2 |
| FYZ016 | 5/8"-11 Hex Nut | 2 |
| FYZ017 | 5/8" Lock Washer | 2 |
| FYZ018 | 5/8" Flat Washer | 2 |
| FYZ020 | 3/4" Lock Washer | 1 |
| FYZ021 | 3/4" Flat Washer | 2 |
| SBY961S | Stake Pocket Bolt | 2 |
| FYZ062 | 3/4"-10 x 1.25" Full Thd Hex Bolt Grade 5 | 2 |
| SF005 | 2 Sided Tape SPGPSA1x2x2 | 4 |

PARTS LIST FOR KIT #30226TB, 30226TB31

| PART | DESCRIPTION | QTY |
|------------------------|---|-----|
| TB226D | Toolbox Bracket Driver | 1 |
| TB226P | Toolbox Bracket Passenger | 1 |
| OR | | |
| TB227D | 31" Toolbox Bracket Driver | 1 |
| TB227P | 31" Toolbox Bracket Passenger | 1 |
| HARDWARE BAG395 | | |
| INST000 | Installation Instructions | 1 |
| DB9X8ET | Poly Bag | 2 |
| FYZ008 | 1/2"-20 Nylon Hex Lock Nut | 2 |
| FYZ011 | 1/2" Flat Washer | 2 |
| FYZ014 | 1/2"-20 x 3.25" Carriage Bolt Grade 8 | 2 |
| FYZ016 | 5/8"-11 Hex Nut | 2 |
| FYZ017 | 5/8" Lock Washer | 2 |
| FYZ018 | 5/8" Flat Washer | 2 |
| FYZ020 | 3/4" Lock Washer | 1 |
| FYZ021 | 3/4" Flat Washer | 2 |
| SBY961S | Stake Pocket Bolt | 2 |
| FYZ062 | 3/4"-10 x 1.25" Full Thd Hex Bolt Grade 5 | 2 |
| SF005 | 2 Sided Tape SPGPSA1x2x2 | 4 |

FOR MORE INFORMATION SCAN HERE!

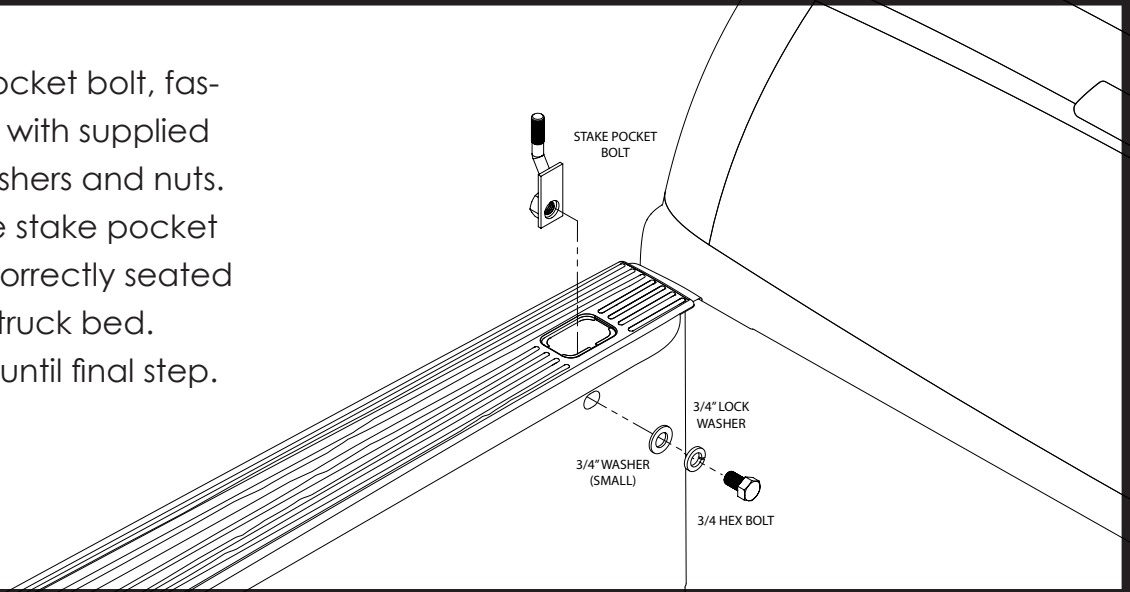


BACKRACK™

FUNCTION AND STYLE FOR TODAY'S TRUCKS

1

Insert stake pocket bolt, fasten as shown with supplied bolt plate, washers and nuts. Make sure the stake pocket bolt tabs are correctly seated in slot on truck bed. Hand tighten until final step.

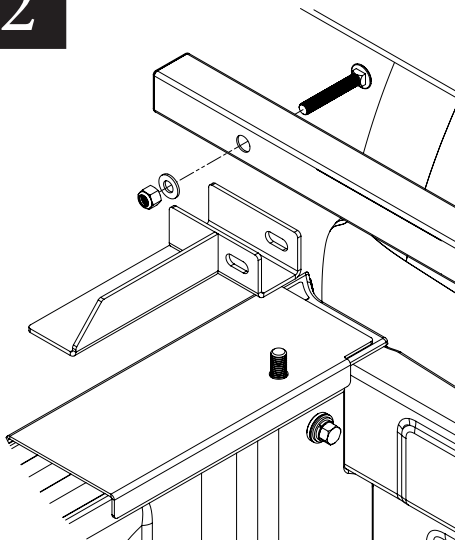


2

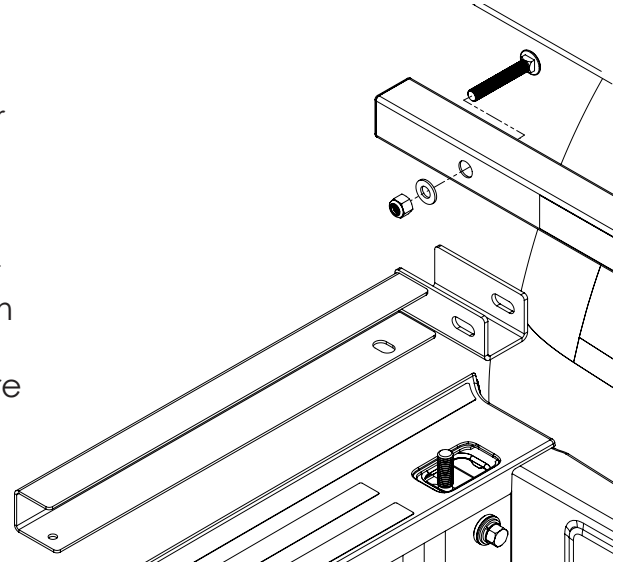
Fasten Backrack to the Rail mount bracket, or Toolbox bracket. Finger tighten at this stage.

****IMPORTANT****

Install the carriage bolt as shown in the diagram with the round head closest to the cab. Failure to do so could result in damage to the cab or rear window.



KIT #30226

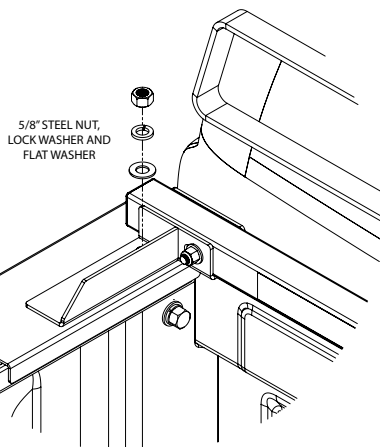


KIT #30226TB,
30226TB31

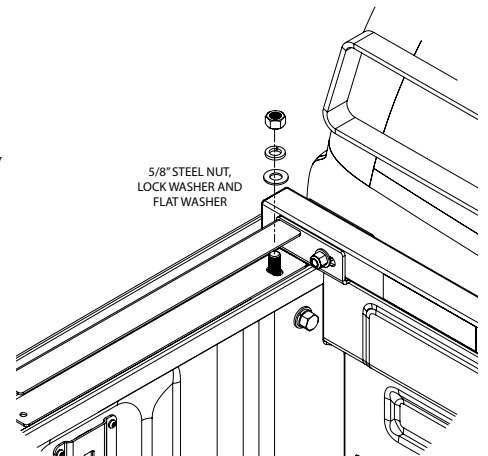
3

Fasten Backrack Assembly to the Stake pocket bolt as shown.

Center the Backrack assembly on the truck and final torque all bolts starting with the nuts on the inside of the truck bed, then the rail mount or toolbox bracket and finally the main BACKRACK carriage bolt



KIT #30226



KIT #30226TB,
30226TB31