

INSTALLATION MANUAL

18124

Level of Difficulty

Easy

Installation difficulty levels are based on time and effort involved and may vary depending on the installer level of expertise, condition of the vehicle and proper tools and equipment.

Weight Carrying Capacity

Roof Rack	150 lbs.
-----------	----------

Parts List

Item	Qty	Description
1	1	Roof rack extension
2	2	Water cap
3	4	Bhcs, M6 x 16
4	1	Allen wrench, 4mm

Tools Required

Allen wrench, 4mm (included)	Allen wrench, 5mm (included)
------------------------------	------------------------------

Torque Specifications

M6 bolt	7 ft-lbs.
---------	-----------

Use above torque setting unless otherwise noted

⚠ WARNING

Never exceed the factory weight rating of the OEM roof rack, including the weight of the cargo carrier.

Product Photo



NOTICE

Visit www.curtmfg.com for a full-color copy of this instruction manual, as well as helpful videos, guides and much more!

Before you begin installation, read all instructions thoroughly.

Proper tools will improve the quality of installation and reduce the time required.

Periodic inspection of your product should be performed to ensure all hardware and / or components remain secure.

To help prevent damage to the product or vehicle, refer to the specified torque specifications when securing hardware during the installation process.

Cargo roof rack rating: 150 lbs. limited to your vehicles factory roof rack weight limit.

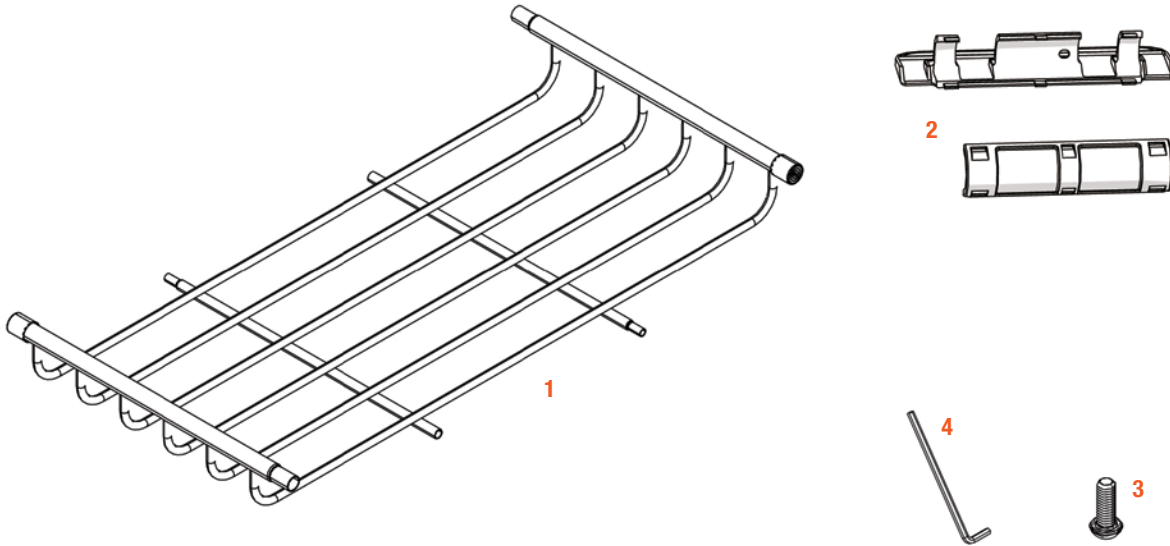
Product Registration and Warranty

CURT stands behind our products with industry-leading warranties. To get copies of the product warranties, register your purchase or provide feedback, visit: warranty.curtgroup.com/surveys

ASSEMBLY

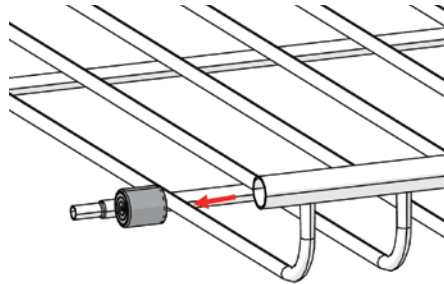
Parts List

Item	Qty	Description
1	1	Roof rack extension
2	2	Water cap
3	4	Bhcs, M6 x 16
4	1	Allen wrench, 4mm



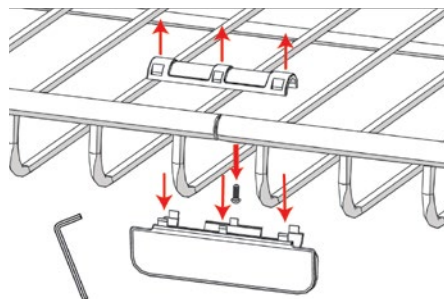
Step 1

Please check the basket extension and hardware provided. Remove the plastic protective end cap.



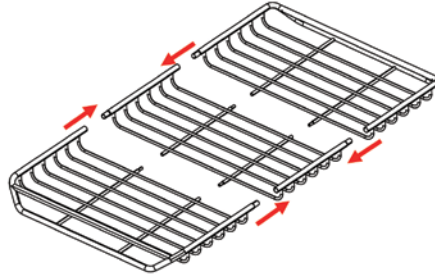
Step 2

Disassemble the water-proof caps of roof basket for both sides.



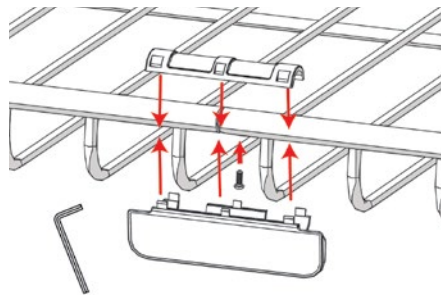
Step 3

Insert the extension inbetween the front and rear sections.



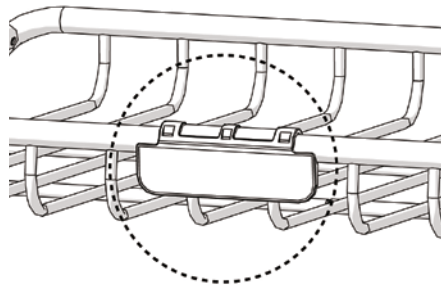
Step 4

Cover the tubing joints with the water-proof caps on the top and bottom side of the basket. Please note that the flat surface of the caps should face outside, and subsequently insert M6 x 16mm screws from the bottom side through the water-proof caps and round tubing. Use wrench to tighten the screw.



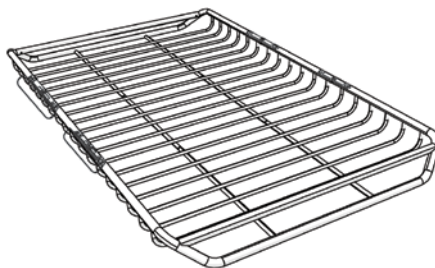
Step 5

Installation completely of water-proof cap.



Step 6

Installation completely of extension.



Step 7

Carrying the bicycle: Use safety strap to wrap rear tire around the round tubing for further secure, and feed the end of the safety strap into the buckle; tighten the strap securely.

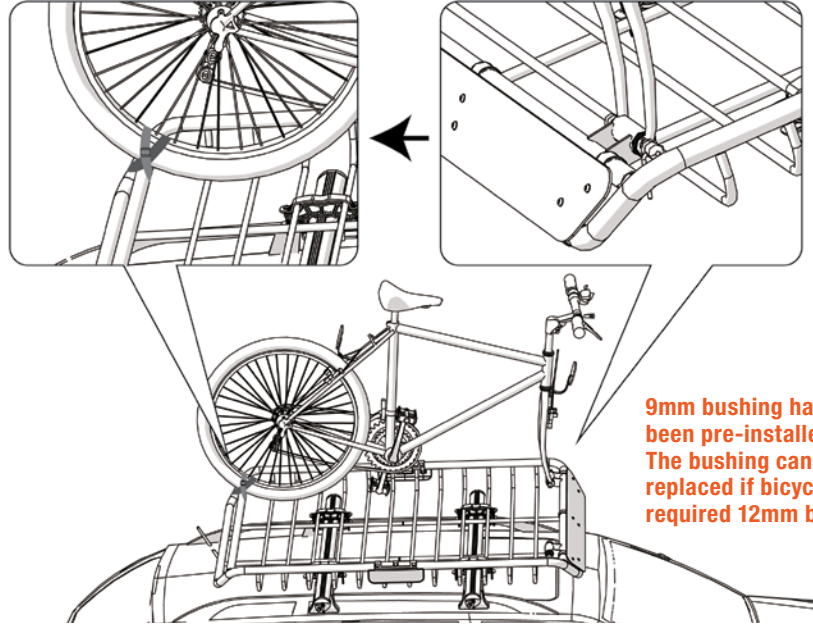
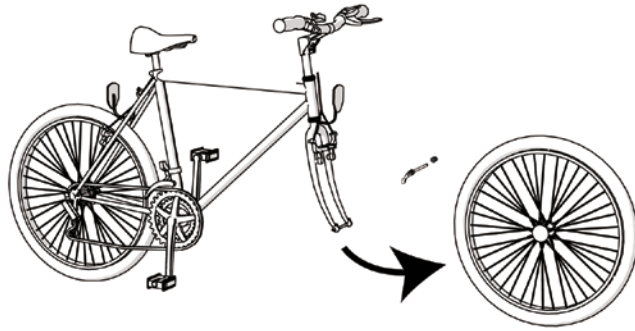
Remove the front wheel from bicycle: Insert front fork of bicycle onto the fork mount at front of cargo basket, and then press the lever of quick release down to secure.

⚠ CAUTION

Please be certain the fork is fully seated onto the fork mounts.

⚠ CAUTION

Please perform final check to make sure the bike secure before traveling



Step 8

The two adapters are double-sided and are compatible with wider forks. Simply remove the adapter and flip around and re-install to use alternate mounting option.

