

# Installation Instructions

I - Sheet Number INS-HS103 Rev.C



## Hood Shield

**For proper installation and best possible fit, please read all instructions BEFORE you begin.  
For technical assistance or to obtain missing parts, please call Customer Relations at 1-800-344-8759.**

### Important Safety Information



- CAUTION - Before driving, ensure that the hood shield is properly secured to vehicle.
- Do not use automatic "brush-style" car washes.
- Do not use cleaning solvents of any kind.
- Periodically check all components for tightness.

### Contents

**NOTE:** Actual product may vary from illustration.



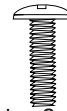
Hood shield



Fastener x4  
(98030)



Protective Film x2  
(45-3601)



Machine Screw x2  
(04-4128)



Bump On x4  
(98024)



Bracket x2  
(39-1956)



Black Plastic  
Washer x2  
(37-4106)

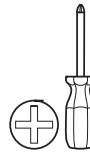
### Tools Required



Car Wash Supplies



Clean Towel



Phillips  
screwdriver



Grease pencil

### Preparation Before Painting / Installation

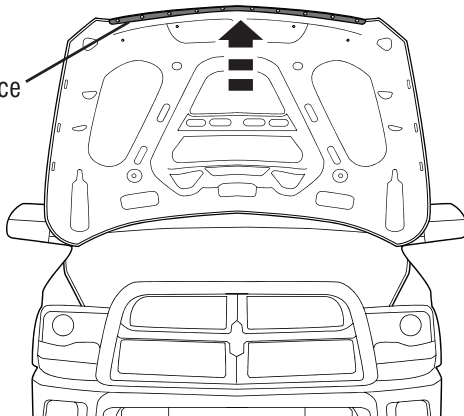
- A trial fit is recommended to ensure proper positioning and fit.
- Check fit of parts before painting as we will not accept the return of modified or painted parts.
- Wash and dry your vehicle to remove any debris and/or dirt from the installation area.

### Installation Steps

**NOTE:** Actual application may vary slightly from illustrations.

Open hood.

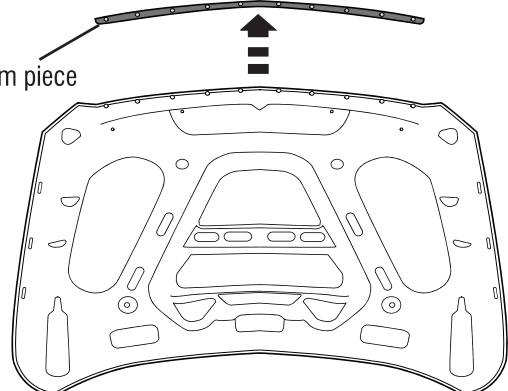
rubber trim piece  
(if equipped)



1

If equipped, remove and discard rubber trim piece from front edge of hood.

rubber trim piece

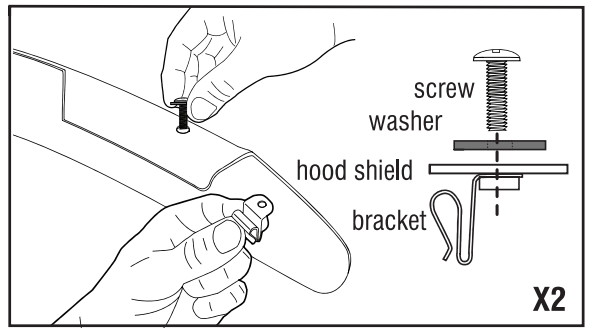
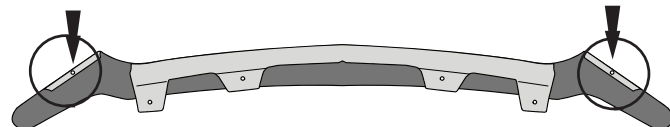
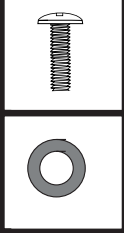
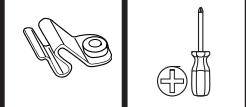


2

# Installation Steps

**NOTE:** Actual application may vary slightly from illustrations.

Install (2) brackets on outboard hood shield flanges using machine screws and black washers.

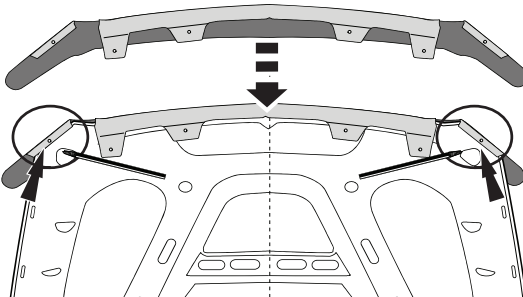



screw  
washer  
hood shield  
bracket

**X2**

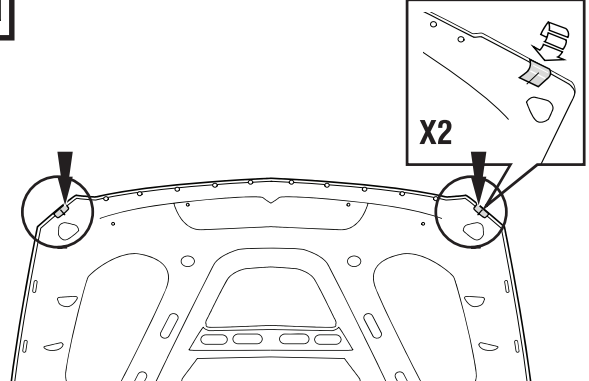
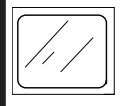
**3**

Align holes in hood shield with holes in hood in order to center part in place. Note the location where the brackets will align with hood edge and mark with a grease pencil. Remove hood shield.



**4**

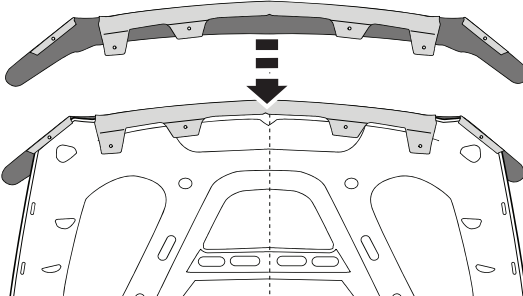
Center a piece of protective film over each grease pencil mark, and wrap around the hood edge.



**X2**

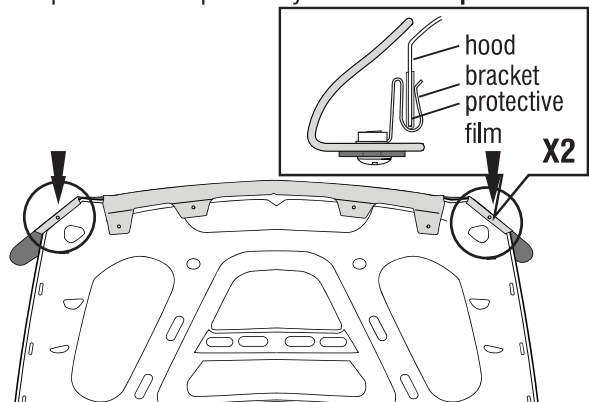
**5**

Position hood shield back in place on hood. Ensure that the holes in hood shield are properly aligned with the holes in the hood and that the bracket aligns with the protective film.



**6**

Slide brackets over hood edge, ensuring that they are centered on the protective film previously installed in **Step 6**.

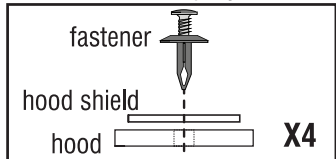
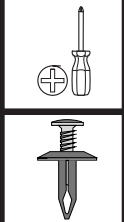


hood  
bracket  
protective film

**X2**

**7**

Insert (4) fasteners through the hood shield and into the hood and securely tighten.



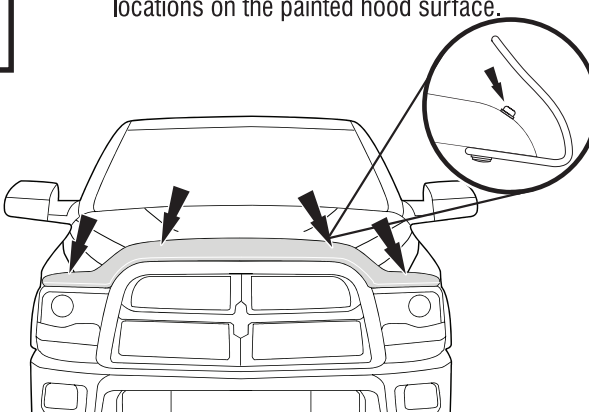

fastener  
hood shield  
hood

**X4**

**8**

**DO NOT OVER TIGHTEN**

Close hood and Install (4) bump ons at pre-cleaned locations on the painted hood surface.



**9**

## Care and Cleaning

- Wash only with mild soap & dry with a clean cloth.



The material that your product is made from can be recycled. Please also consider recycling the packaging that your product came in.



## Congratulations!

You have purchased one of the many quality Husky® branded products. We take the utmost pride in our products and want you to enjoy years of satisfaction from your investment. We have made every effort to ensure that your product is top quality in terms of fit, durability, finish and ease of installation.



1-800-344-8759 • Visit us at [huskyliners.com](http://huskyliners.com)

© 2024 Husky Liners, Inc. All rights reserved.

Husky® and the Husky® logo are trademarks of Husky Liners, Inc.