

# Installation Instructions

I - Sheet Number INS-HS16 Rev.D



## Hood Shield

**For proper installation and best possible fit, please read all instructions BEFORE you begin.  
For technical assistance or to obtain missing parts, please call Customer Relations at 1-800-344-8759.**

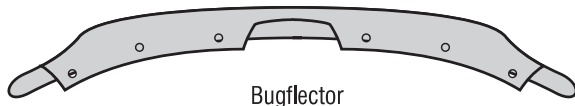
### Important Safety Information



- CAUTION - Before driving, ensure that the hood shield is properly secured to vehicle.
- Do not use automatic "brush-style" car washes.
- Do not use cleaning solvents of any kind.
- Periodically check all components for tightness.

### Contents

**NOTE:** Actual product may vary from illustration.



Bugflector



Scrivet Fastener x6



Bump On x4

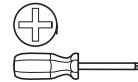
### Tools Required



Car Wash Supplies



Clean Towel



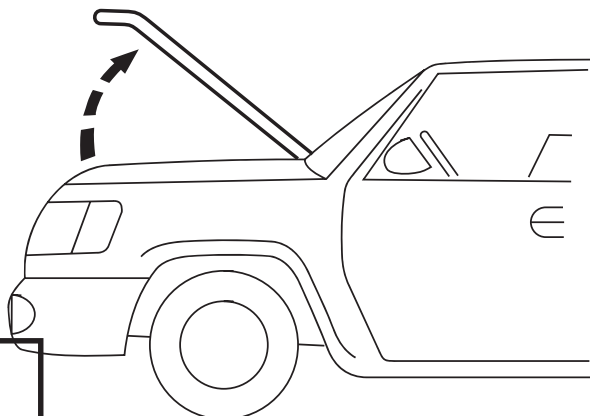
Phillips Screwdriver

### Preparation Before Painting / Installation

- A trial fit is recommended to ensure proper positioning and fit.
- Check fit of parts before painting as we will not accept the return of modified or painted parts.
- Wash and dry your vehicle to remove any debris and/or dirt from the installation area.

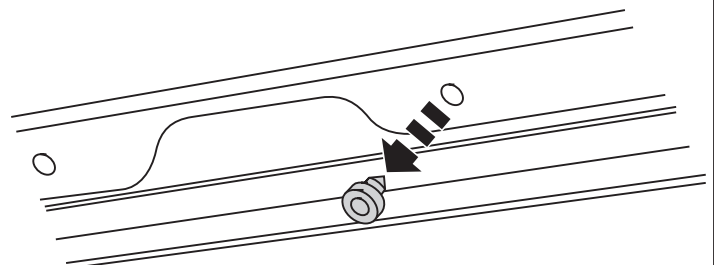
### Installation Steps

**NOTE:** Actual application may vary slightly from illustrations.



1

Vehicles equipped with hood mounted bumper stops:  
Bumper stops must be removed prior to installation.



2

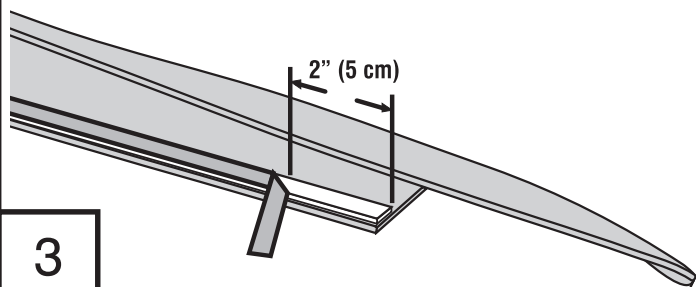
## Installation Steps

**NOTE:** Actual application may vary slightly from drawings.

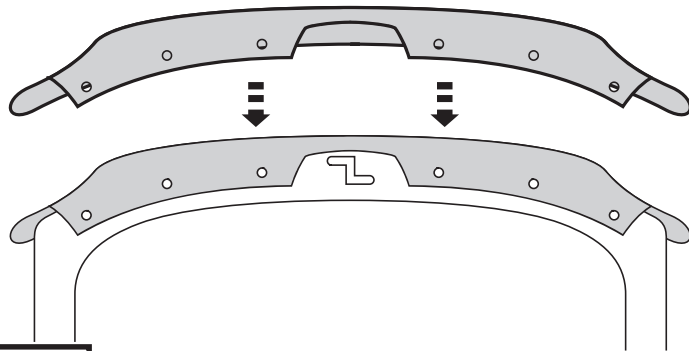
### 2002 & Up Explorer

(1995-2001 Explorer continue to **Step 4**)

Peel back 2" (5cm) of tape liner from each end of Bugdeflector.



3

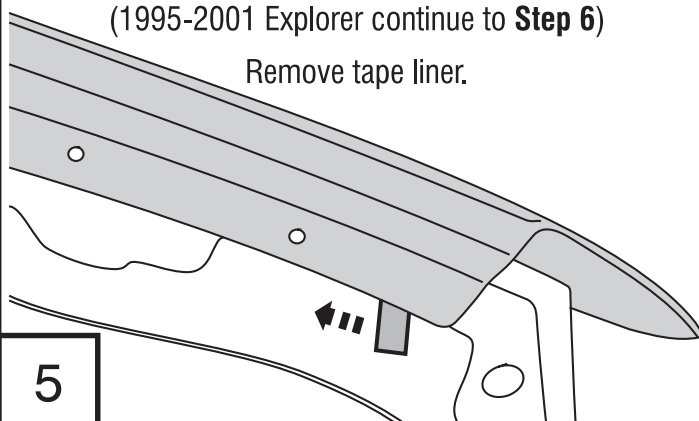


4

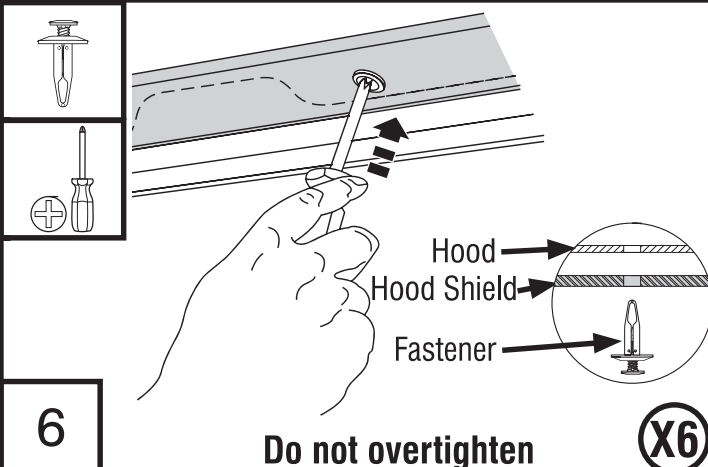
### 2002 & Up Explorer

(1995-2001 Explorer continue to **Step 6**)

Remove tape liner.



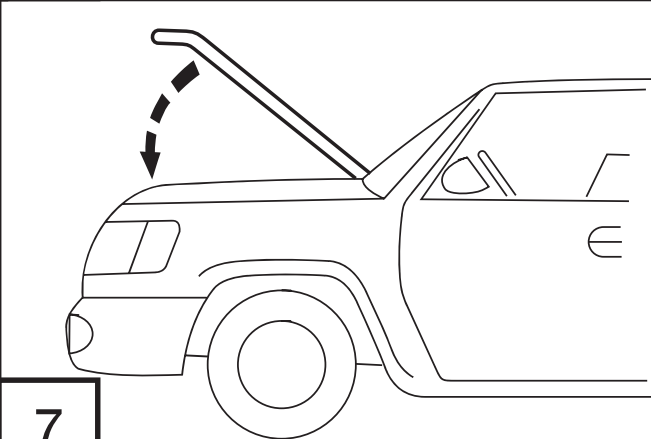
5



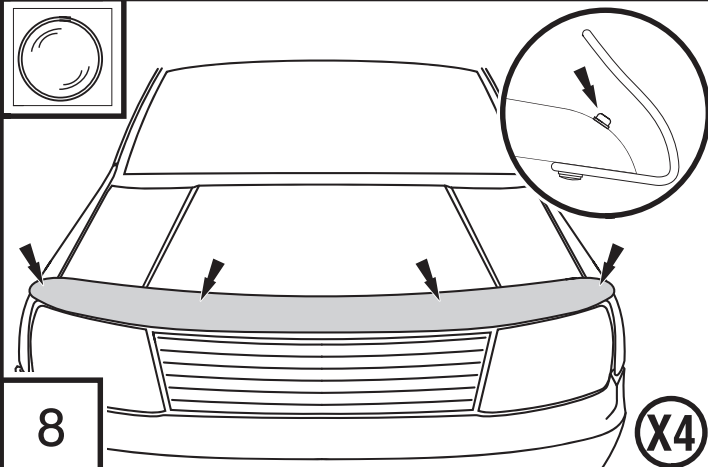
6

Do not overtighten

X6



7



8

X4

## Care and Cleaning

- Wash only with mild soap & dry with a clean cloth.



The material that your product is made from can be recycled. Please also consider recycling the packaging that your product came in.



## Congratulations!

You have purchased one of the many quality Husky® branded products. We take the utmost pride in our products and want you to enjoy years of satisfaction from your investment. We have made every effort to ensure that your product is top quality in terms of fit, durability, finish and ease of installation.



1-800-344-8759 • Visit us at [huskyliners.com](http://huskyliners.com)

© 2024 Husky Liners, Inc. All rights reserved.

Husky® and the Husky® logo are trademarks of Husky Liners, Inc.